

EDCON-COMPONENTS

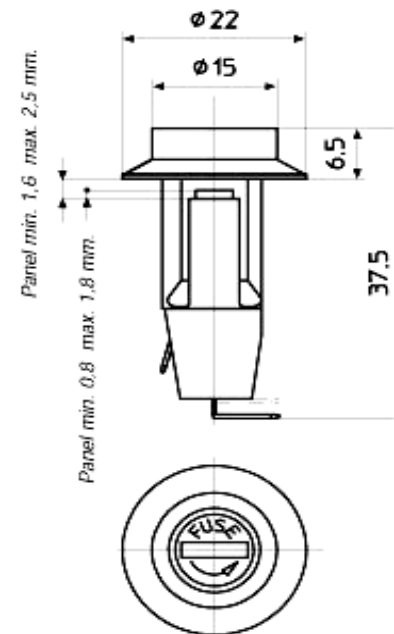


Technical Discription

Drawing

EDCON-COMPONENTS Fuse Holders features for easy removal, clearly printed / imprinted "FUSE" for easy panel identification and keyed mounting hole requirement for anti rotation safety. All fuse holders include mounting washer and solder lugs for wiring.

Rated Current	6,3A / 250VAC
Insulation Resistance at 500VDC	>1000MΩ Min.
Contact Resistance	<5mΩ @ 1A DC
Dielectric Strength for 60seconds	>AC3000V / 60°
Material Contact:	CuZn37 + Ni+Sn
Material Body:	PBT UL94V0



Approvals

CSA, CE, UL, VDE, SEMKO

Panel Layout



Panel Mount Fuse Holder for 5,2x20mm

Part No.: **R54041**

Customer:

DRW:	Jason	CHKD	Wilson	MATL:	Wilson	TOLERANCE	Mason	DATE	29.11.2012
APPD:	Schumi			FINISH	Jamy		Sheet No.		1 from 2

www.edcon-components.com

email: info@edcon-components.com

EDCON-COMPONENTS



Ordering Informations

Serie	Range	Special function	ROHS	Packing						
-------	-------	------------------	------	---------	--	--	--	--	--	--

R54041	A	N	R	BU						
---------------	----------	----------	----------	-----------	--	--	--	--	--	--

A= 6,3A	N= No function	R= ROHS Conform	BU= Bulk-Ware
			IV= Individual Package

**Panel Mount Fuse Holder
for 5,2x20mm**

Part No.: **R54041**

Customer:

DRW:	Jason	CHKD	Wilson	MATL:	Wilson	TOLERANCE	Mason	DATE	29.11.2012
APPD:	Schumi			FINISH	Jamy			Sheet No.	2 from 2

www.edcon-components.com

email: info@edcon-components.com